

#41048 Contemporary Kit

Step-by-step assembly instructions

Copyright miniatures.com 2024

SUPPLIES NEEDED:

Masking tape
White glue (such as #1249 Weldbond)
Damp clean cloth
Exterior and interior finishes

GENERAL INSTRUCTIONS

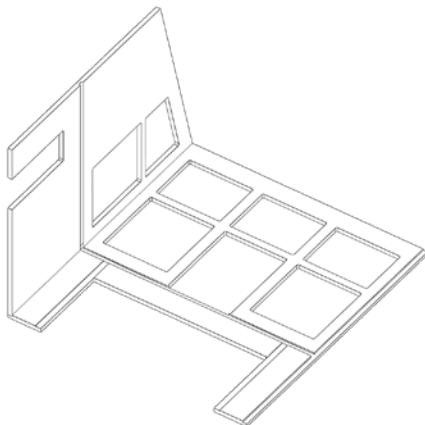
- Identify and inspect all parts using the Parts List and Parts Diagram.
- Read the directions completely before beginning the project.
- If possible, have a dedicated work area so that you are not unpacking, repacking, and moving the project from place to place.
- Choose a work surface that is level, clean, dry, and protected from spills.
- Do a dry fit, using masking tape to hold parts in place, to make sure everything fits together correctly before assembling permanently.

Assembly Instructions

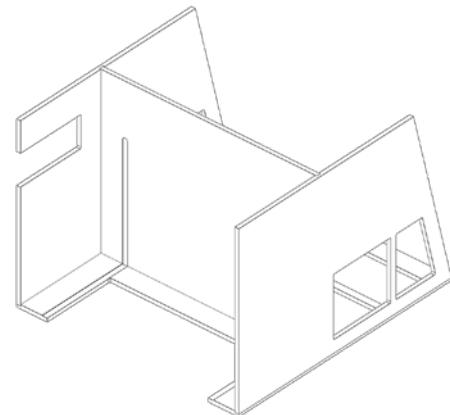
Shell

Parts you will need in this section:

- Front Panel
- Right Panel
- Left Panel
- Floor



1. Place the **Front** flat on the work surface with the interior surface facing up.
2. Glue **Right** to **Front**. It fits into the rabbet on the **Front**.



3. Glue **Left** to **Front**.
4. Glue **Floor** into the grooves that are on the interior surface. Orient **Floor** so that the two track cut-outs are facing down.



Tips: Plan the finishes for the interior and exterior at the dry-fit stage, before final/permanent assembly. It is easier to finish the panels as flat surfaces. Disassemble and finish as desired, then reassemble using glue.

The acrylic door panels are removable for easier finishing. Gently pull on either the top or bottom frame to remove it. Then slide out the acrylic

References to the left and right sides of the house are from the exterior front perspective, unless noted otherwise.



Not Suitable for Children
under 15 years old.

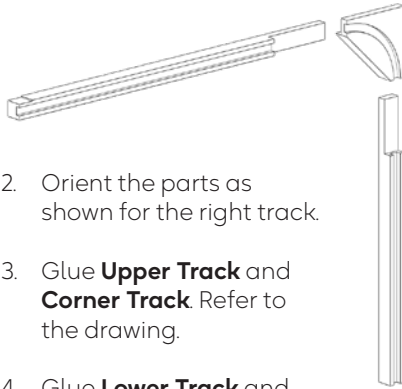
WARNING:
CHOKING HAZARD – Small parts

Garage Door

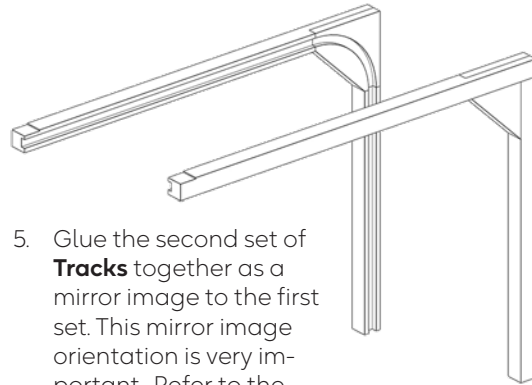
Parts you will need in this section:

- Corner Track (2)
- Upper Track Left
- Upper Track Right
- Lower Track (2)
- Garage Door
- Foundation Slab
- Filler Strip
- Jam Top
- Jam Sides (2)

1. **The Upper Tracks** are distinguishable by the shallow cut out on their top surfaces. These cut outs meet the ceiling.

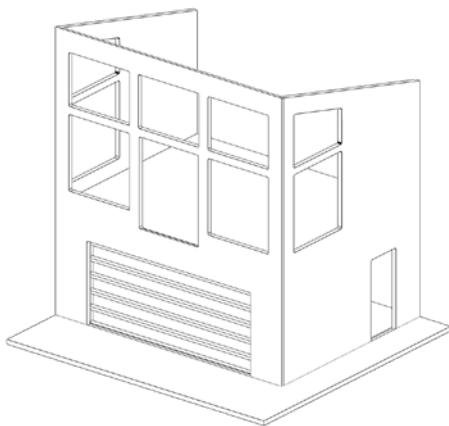
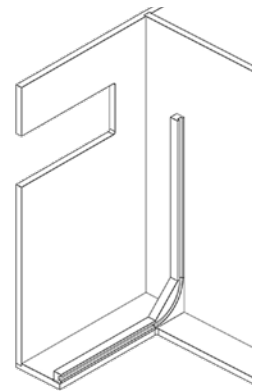


2. Orient the parts as shown for the right track.
3. Glue **Upper Track** and **Corner Track**. Refer to the drawing.
4. Glue **Lower Track** and **Corner Track**.

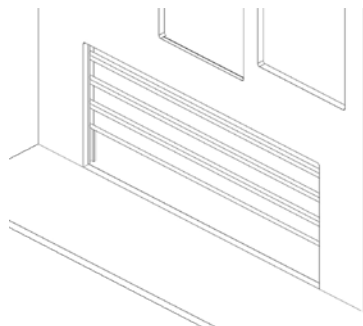


5. Glue the second set of **Tracks** together as a mirror image to the first set. This mirror image orientation is very important. Refer to the drawing.

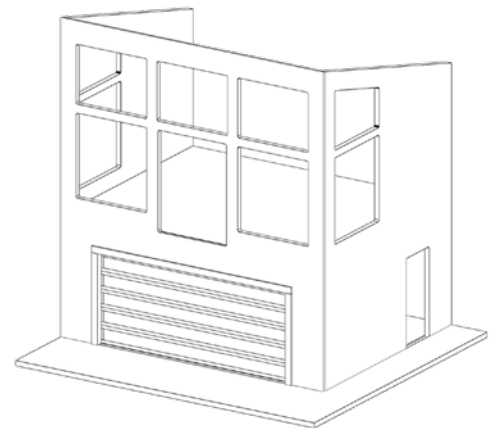
6. Assure the joints are square and smooth. Clamp and let dry.
7. Gently sand both track grooves where the wheels will travel to assure that the paths are smooth.
8. Practice moving the **Garage Door** along each track. The door is designed to bend in one direction - the convex side faces out and the concave side faces in. Repeat Step 7 as necessary then set the door aside.
9. Glue both track assemblies into the track cut-outs that are on the interior of **Front** and on the underside of **Floor**. The **Lower Track** is shorter and meets the **Front**. The **Upper Track** is longer and meets the **Floor**. Orient the track assemblies so that their grooves are facing inward.
10. Insert the **Garage Door** to assure that it opens and closes smoothly with just a little resistance. Set the door aside.
11. Clamp the **Upper** and **Lower Tracks** against the **Front** and **Floor**. Let dry.
12. Pivot shell assembly right side up.



13. Glue the shell assembly onto the **Foundation Slab**. The panels fit into the grooves on the **Slab**.



14. Glue the **Filler Strip** to the groove in the garage door opening.



15. Glue both **Jam Sides** and the **Jam Top** in place. They trim the garage door opening from the outside wrapping into the opening.

Balcony

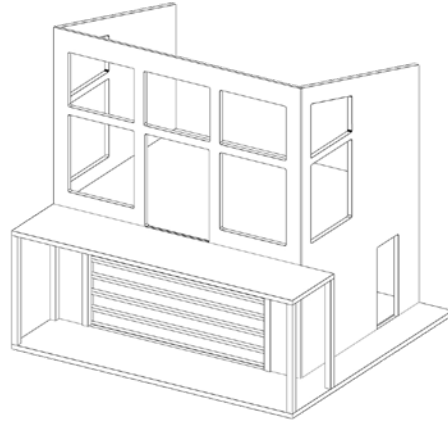
Parts you will need in this section:

- Balcony Floor
- Posts (4)
- Stair

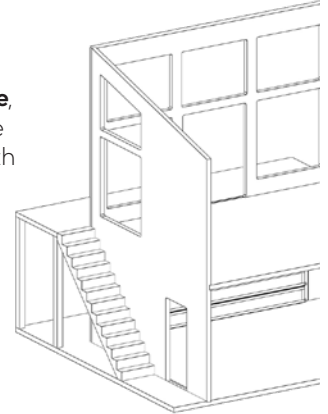
1. Place the **Balcony Floor** flat on the work surface.
2. Glue the **Posts** to the **Floor** flush at the four corners. The exact location of the **Posts** is by preference.
3. Let dry.



4. Stand the assembly on the **Posts** and place it in front of the shell assembly.
5. Glue the four **Posts** to the **Base**, the back left **Post** to the **Front**, and the **Balcony Floor** to the **Front**.



6. Glue **Stair** to the **Balcony Floor**, **Base**, and **Right Side**. The top step is flush with the **Balcony Floor**.

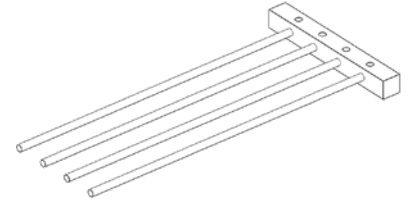


Front Railing

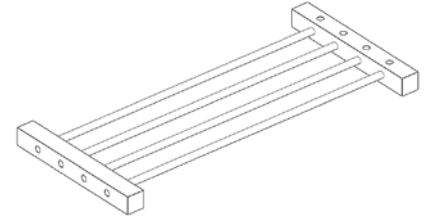
Parts you will need in this section:

- Middle Baluster (3)
- Corner Baluster (2)
- Wall Baluster
- Stair Top Baluster
- Medium Cable (4)
- Long Cable (16)
- Short Cable (4)

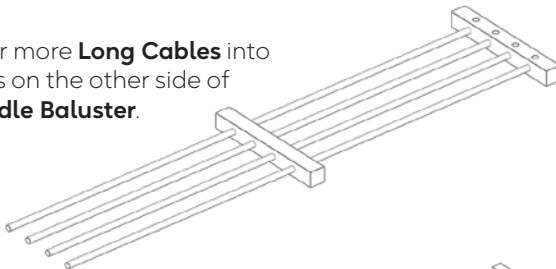
1. Glue four **Long Cables** into the holes on a **Corner Baluster**. **Corner Balusters** have holes on Sides 1 and 2. Assembling the railing flat on a work surface helps.



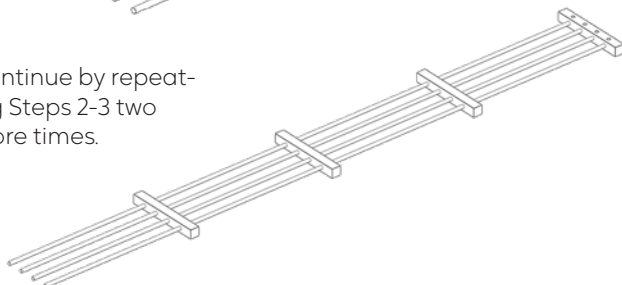
2. Glue the other ends of the **Long Cables** into the holes on one side of a **Middle Baluster**. **Middle Balusters** have holes on Sides 1 and 3.



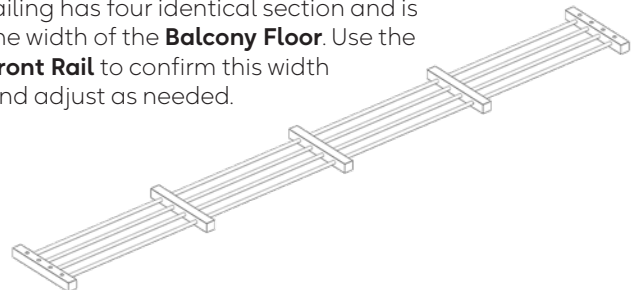
3. Glue four more **Long Cables** into the holes on the other side of that **Middle Baluster**.



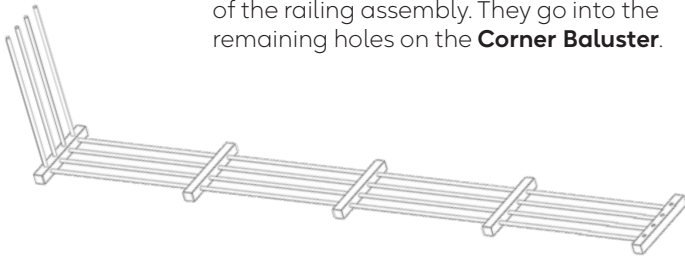
4. Continue by repeating Steps 2-3 two more times.



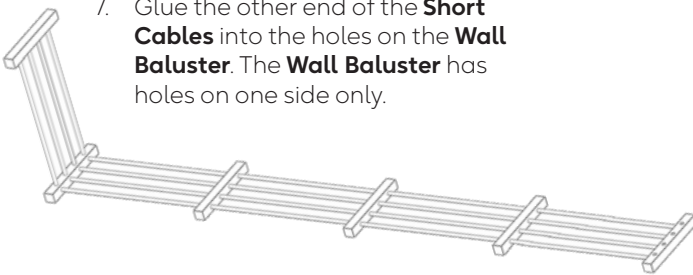
5. Glue the other ends of the **Long Cables** into the holes on one side of the other **Corner Baluster**. The completed front railing has four identical sections and is the width of the **Balcony Floor**. Use the **Front Rail** to confirm this width and adjust as needed.



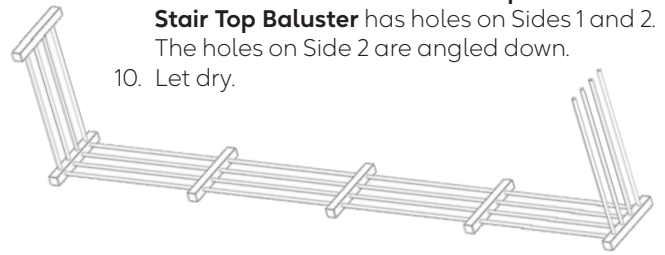
6. Glue the four **Short Cables** to the left side of the railing assembly. They go into the remaining holes on the **Corner Baluster**.



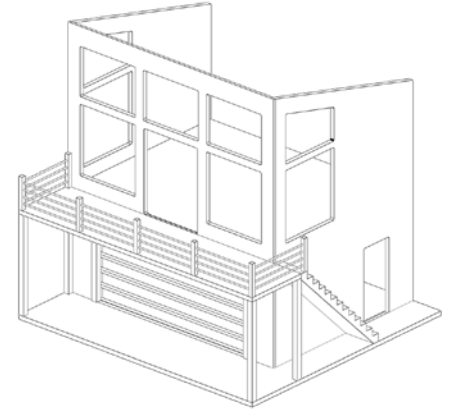
7. Glue the other end of the **Short Cables** into the holes on the **Wall Baluster**. The **Wall Baluster** has holes on one side only.



8. Glue the four **Medium Cables** to the right side of the railing assembly. They go into the remaining holes on the **Corner Baluster**.
9. Glue the other end of the **Medium Cables** into the holes on side of the **Stair Top Baluster**. The **Stair Top Baluster** has holes on Sides 1 and 2. The holes on Side 2 are angled down.
10. Let dry.



11. Stand the assembly on the **Balcony Floor**.
12. Glue all the **Balusters** to the **Balcony Floor** and glue the **End Baluster** to the **Front Panel**.
13. Let dry.

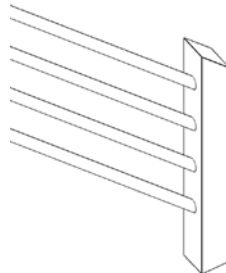


Stair Railing

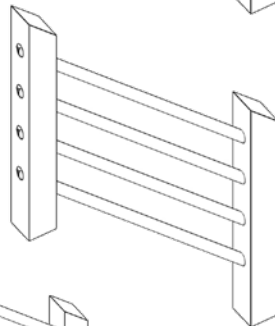
Parts you will need in this section:

- Stair Bottom Baluster
- Stair Baluster (2)
- Shortest Cable (12)

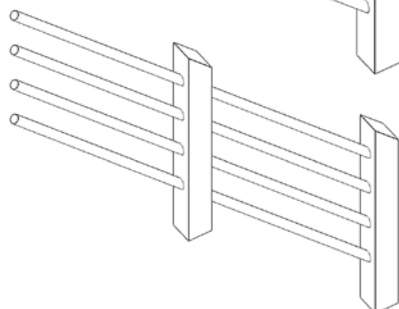
1. Glue four **Shortest Cables** into the holes on the **Stair Bottom Baluster**. The **Stair Bottom Baluster** has angled holes on Side 1 and is mitered at one end. Assembling the railing flat on a work surface is helpful.



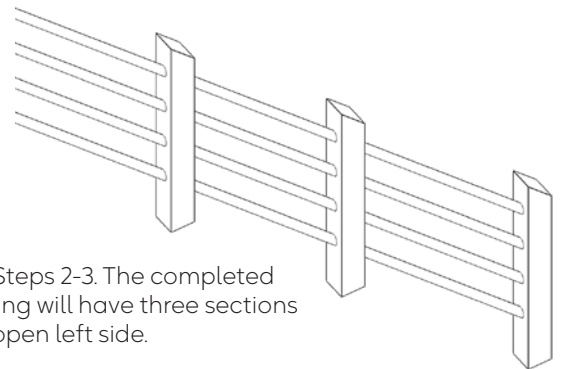
2. Glue the other ends of the **Shortest Cables** into the holes on one side of a **Stair Baluster**. The **Stair Balusters** have angled holes on Sides 1 and 3 and are mitered at one end.



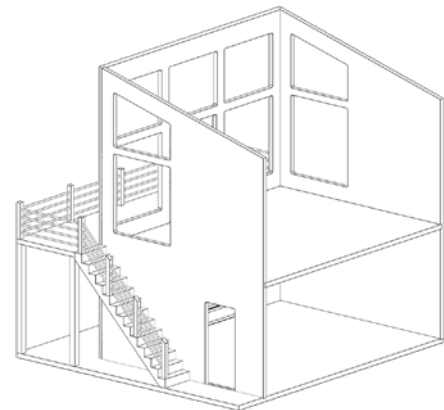
3. Glue four more **Shortest Cables** into the holes on the **Stair Baluster**.



4. Repeat Steps 2-3. The completed stair railing will have three sections and an open left side.



5. Let the glue set for a few minutes.
6. Stand the assembly on the **Stair**.
7. Glue each **Baluster** to a step and glue the ends of the **Shortest Cables** into the holes on the **Stair Top Baluster**.
8. Let dry.

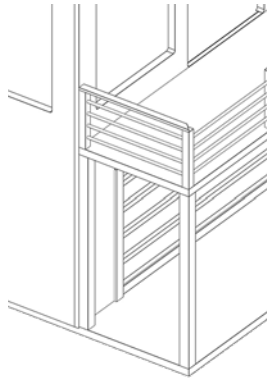


Hand Rail

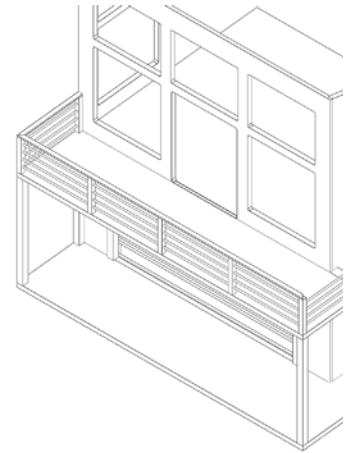
Parts you will need in this section:

- Left Rail
- Front Rail
- Right Rail
- Stair Rail

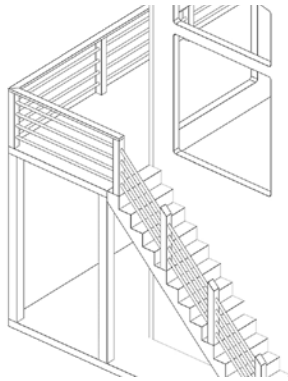
1. Glue the **Left Rail** at the left side. Its square end goes against the **Front** and on top of the **Wall Baluster**. Its mitered end goes on top of the **Corner Baluster**.



2. Glue the **Front Rail** in place. It goes on top of all **Corner** and **Middle Balusters**.



3. Glue the **Right Rail** in place. It goes on top of the **Corner** and **Stair Top Balusters**.



4. Glue the **Stair Rail** in place. It goes on top of the **Stair Bottom Baluster**, the **Stair Balusters**, and butts against the **Right Railing**.

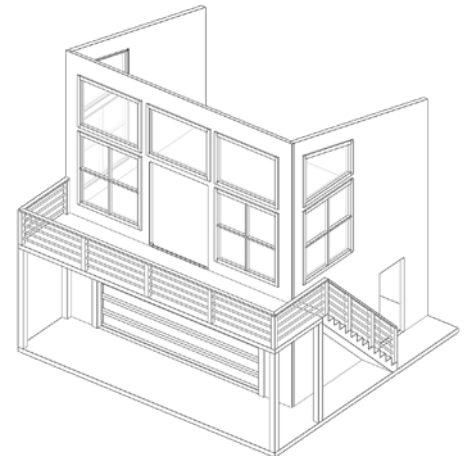


Windows

Parts you will need in this section:

- 4-Light Window (4)
- Clerestory Window (3)
- Angled Window Right
- Angled Window Left
- 4-Light Trim (16)
- Clearstory Trim (12)
- Angled Right Trim (4)
- Angled Left Trim (4)
- Acrylic Pane (9)

1. Paint or otherwise finish all **Windows**.
2. Glue all **Windows** into their openings.
3. Assemble, glue, and decorate all interior trim. All the 1/4" wide trim in the kit is window trim. Some of the 1/4" wide trim is angled at the end(s). These are for the angled windows. All the windows are the same width. The 4-light windows are taller than they are wide.
4. Glue acrylic windowpanes into their corresponding frames. A few spots of glue are sufficient as they will be visible from the inside.
5. Glue all interior trim assemblies to their corresponding interior wall surfaces.

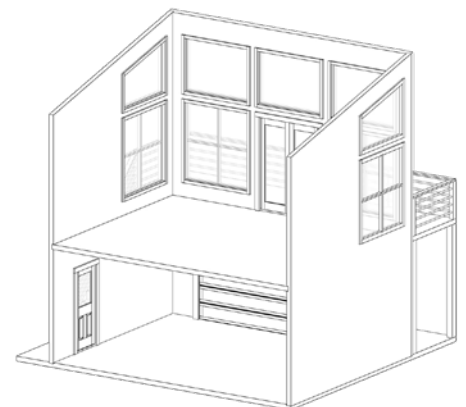


Doors

Parts you will need in this section:

- Single Door
- Double Door
- Double Door Top Trim (4)
- Double Door Side Trim (2)
- Single Door Top Trim
- Single Door Side Trim (2)

1. Paint or otherwise finish both **Doors**.
2. Glue both **Doors** into their openings.
3. Assemble, glue, and decorate all interior door trim. Working on a graph-paper lined surface makes assembly and installation easier. Even lightly gluing the trim to the paper is beneficial. Trim the paper away once the frames are painted and dry.
4. Glue all interior door trim assemblies to their corresponding interior wall surfaces.

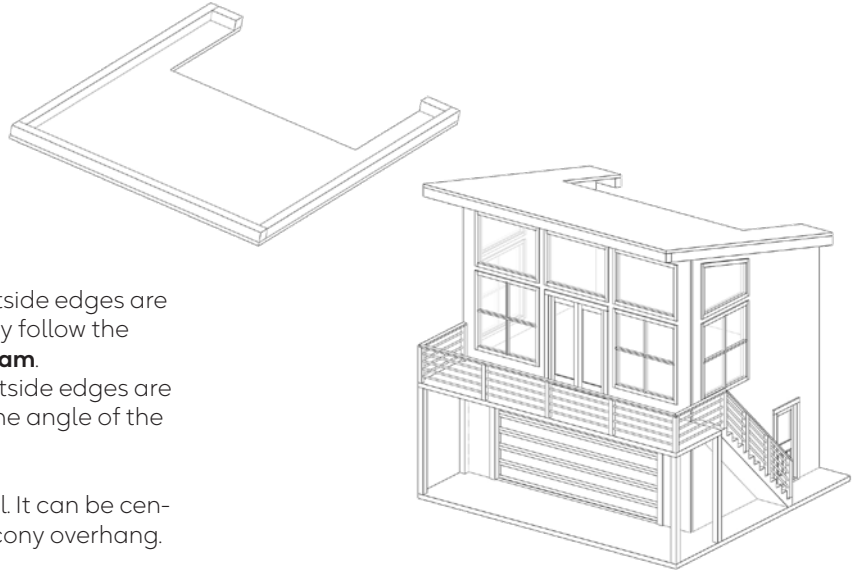


Roof

Parts you will need in this section:

- Roof
- Front Beam
- Side Beam (2)
- Rear Beam (2)

1. Place the **Roof** on the work surface with its top side facing down. Refer to the drawing. Note that the **Roof's** front edge is angled.
2. Glue **Front Beam** to the **Roof** front. Its front edge is flush with the **Roof's** front edge.
3. Glue both **Side Beams** to the **Roof** sides. Their outside edges are flush with the **Roof's** sides. Orient the **Sides** so they follow the angle of the **Roof** and are flush with the **Front Beam**.
4. Glue both **Rear Beams** to the **Roof** back. Their outside edges are flush with the **Roof's** back. Orient so they follow the angle of the **Roof** and are flush with the **Sides**.
5. Let dry.
6. Rotate roof assembly. Rest roof assembly on shell. It can be centered or pushed far forward to maximize the balcony overhang.



Assembly is now complete.

Parts List

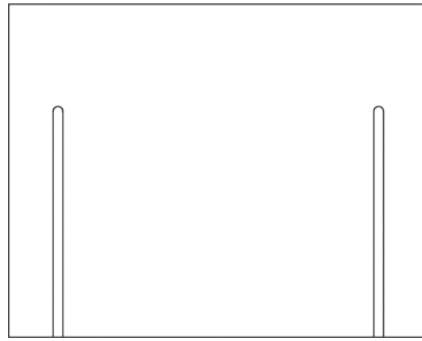
Dimensions are approximate.

A13 Floor Foundation - 23"W x 25"H x 3/8"D	A11 Stair (4) Post	- 6"W x 25"H x 3/8"D	A14 (2) Stair Baluster - 3 1/2"W x 3 1/4"H x 3 1/2"D	A46 (8) 4-Light Side Trim - 1/4"W x 6 11/16"H x 1/8"D
A02 Floor - 16 3/4"W x 21 1/2"H x 3/8"D	A12 (4) Post - 1/2"W x 9"H x 1/2"D		A19 (12) Shortest Cable - 1/8"W x 3 5/8"H x 1/8"D	A47 (16) 4-Light & Clerestory Top & Bottom Trim, Angled Bottom Trim - 1/4"W x 5 3/4"H x 1/8"D
Wall	Roof		Hand Rail	A39 (3) Clerestory Window
A04 Front Panel - 22"W x 24"H x 3/8"D	A07 Roof - 22 3/4"W x 23 1/2"H x 1/4"D		A23 Stair Rail - 3 1/2"W x 12 3/8"H x 1/8"D	A49 (6) Clerestory Side Trim - 1/4"W x 4 11/16"H x 1/8"D
A05 Right Panel - 16 3/4"W x 24"H x 3/8"D	A08 Front Beam - 1"W x 23 5/8"H x 3/4"D		A25 Left Rail - 3 1/2"W x 6"H x 1/8"D	A40 Angled Window Left
A06 Left Panel - 16 3/4"W x 24"H x 3/8"D	A09 (2) Side Beam - 3/4"W x 22 1/8"H x 3/4"D		A26 Front Rail - 3 1/2"W x 25"H x 1/8"D	A41 Angled Window Right
Garage	A10 (2) Rear Beam - 15 1/16"W x 2 1/4"H x 3/4"D		A24 Right Rail - 3 1/2"W x 6 3/4"H x 1/8"D	A51 (2) Angled Long Trim - 1/4"W x 4 3/4"H x 1/8"D
A27 (2) Side Jam - 1/2"W x 6 7/8"H x 1/2"D	Front Railing		Door	A52 (2) Angled Short Trim - 1/4"W x 3 3/16"H x 1/8"D
A28 Top Jam - 1/2"W x 6 3/4"H x 1/2"D	A16 (3) Middle Baluster - 3 1/2"W x 3"H x 3 1/2"D		A37 Single Door	A53 (2) Angled Top Trim - 1/4"W x 6"H x 1/8"D
A29 Filler Strip - 1/8"W x 16"H x 1/2"D	A17 (2) Corner Baluster - 3 1/2"W x 3"H x 3 1/2"D		A45 (2) Single Door Side Trim - 3/8"W x 6 1/2"H x 1/8"D	A48, A50, & A54 (9) Acrylic Pane
A30 & A31 (2) Upper Track - 1/2"W x 11 3/4"H x 1/2"D	A18 Wall Baluster - 3 1/2"W x 3"H x 3 1/2"D		A44 Single Door Top Trim - 3/8"W x 3 3/8"H x 1/8"D	
A32 (2) Lower Track - 1/2"W x 8 1/2"H x 1/2"D	A15 Stair Top Baluster - 3 1/2"W x 3"H x 3 1/2"D		A36 Double Door	
A33 & A34 (2) Corner Track - 2 1/8"W x 2 1/8"H x 1/2"D	A21 (4) Medium Cable - 1/8"W x 6"H x 1/8"D		A43 (2) Double Door Side Trim - 3/8"W x 7 7/8"H x 1/8"D	
A35 Garage Door	A20 (16) Long Cable - 1/8"W x 6 1/8"H x 1/8"D		A42 Doubler Door Top Trim - 3/8"W x 6 1/8"H x 1/8"D	
Balcony	A22 (4) Short Cable - 1/8"W x 5 1/2"H x 1/8"D		Window	
A03 Balcony Floor	Stair Railing		A38 (4) 4-Light Window	
	A13 Stair Bottom Baluster			

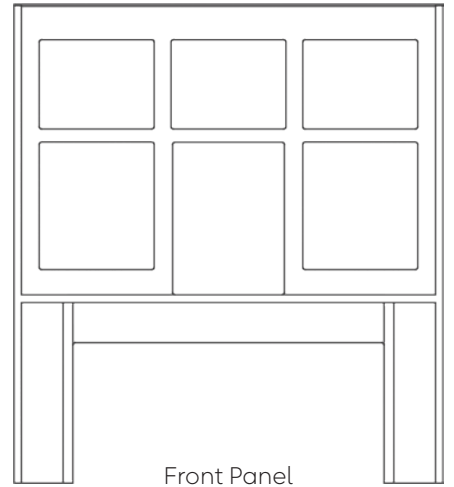
Parts Diagram



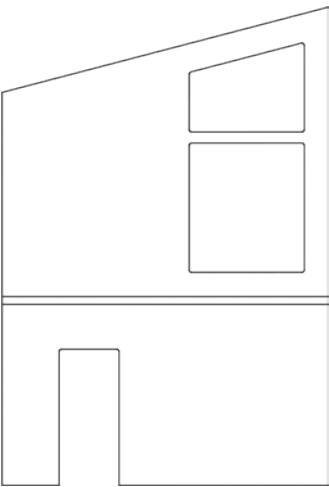
Foundation Slab



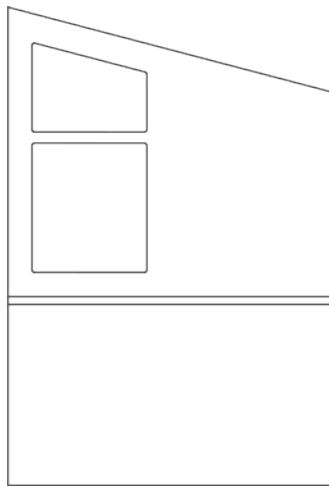
Floor



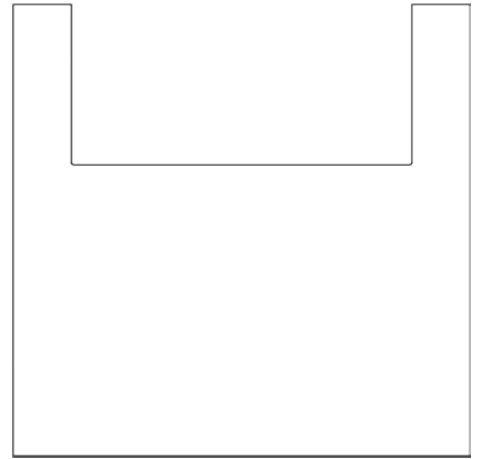
Front Panel



Right Panel



Left Panel



Roof



Track Corner



Garage Door



Side Jam



Top Jam



Upper Track (Right)



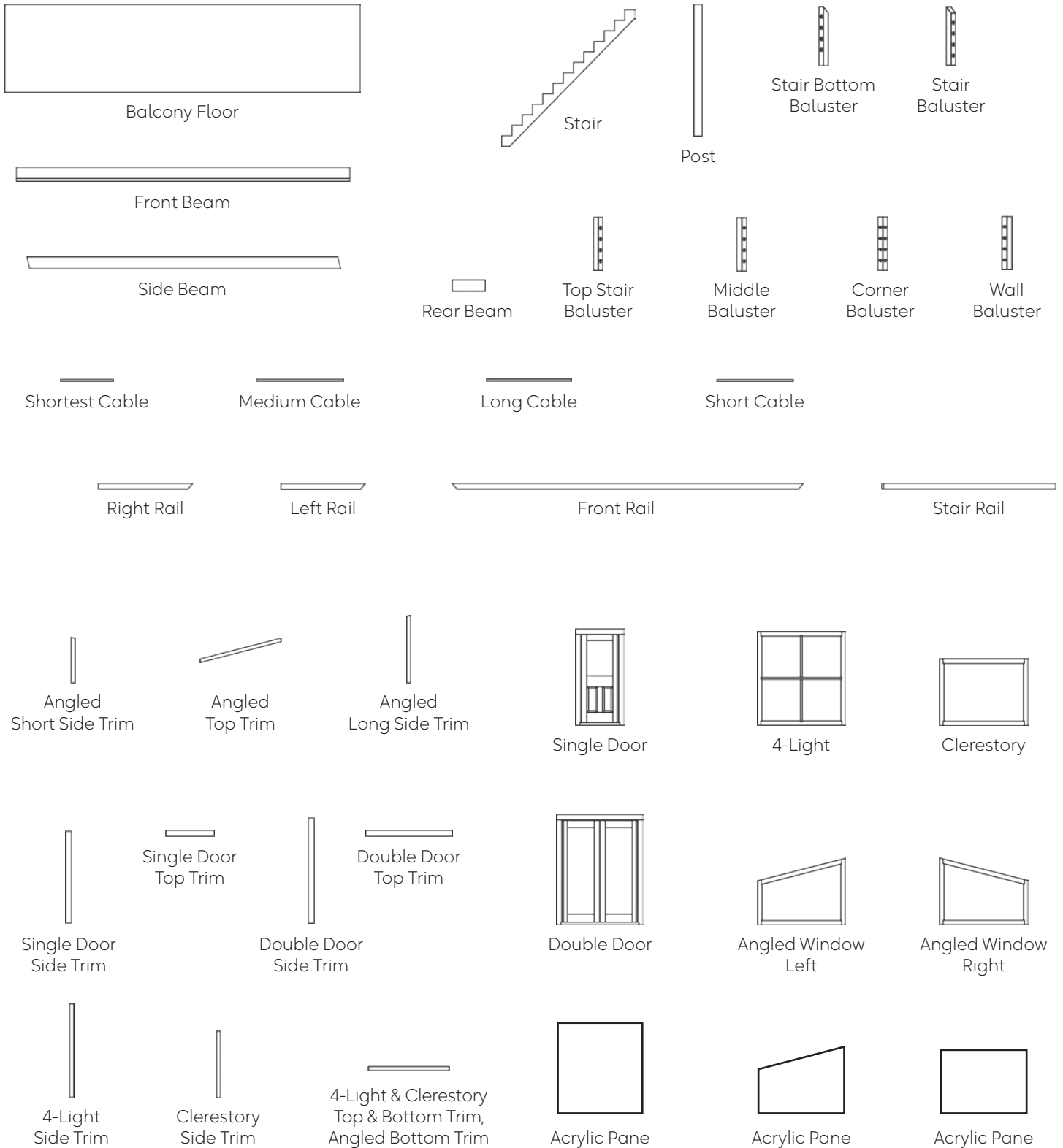
Lower Track



Upper Track (Left)



Filler Strip



We hope you enjoy your Contemporary Dollhouse kit!
 For finishing tips and more information, visit miniatures.com.

We would love to see how yours turns out; please send pictures to support@miniatures.com.

Questions? Contact us at support@miniatures.com or call 1-800-926-6464 (Mon-Fri 10:00 AM-5:00 PM ET).